

GEAR PUMP

HGT series

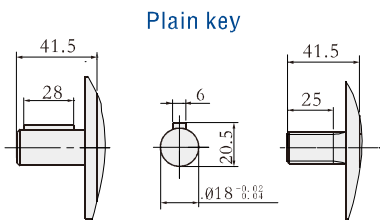
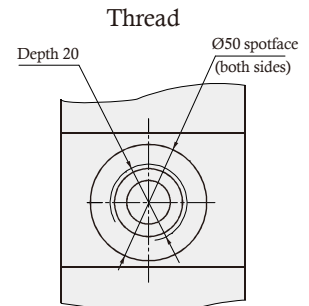
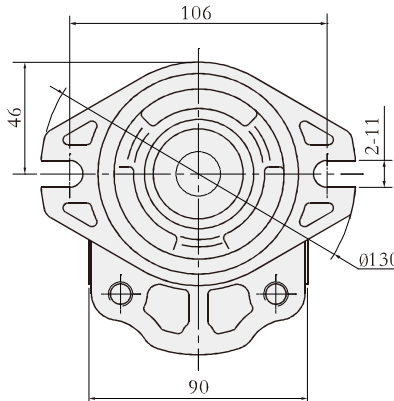
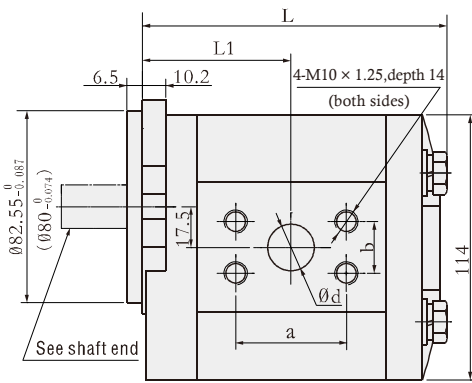


Model coding



1. Product code
2. Pressure grade F : 21MPa
3. Product series 4
4. Nominal displacement (mL/r)
5. Mounting A0 : Oval (Ø82.55) *
A1 : Oval (Ø80)
6. Joining port FA : Flange
FB : Flange (standard) *
LA : Screw (G.BSP)
LB : Screw (SAE)
7. Shaft end P1 : Plain key *
H4 : Rectangle spline
S1 : SAE spline
M1 : Involute spline
8. Rotation R : Right (Clockwise is omitted) *
L : Left (Counterclockwise)
9. Custom XXXX

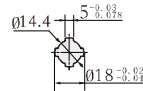
Outline Dimensions



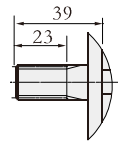
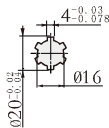
Plain key

Rectangle spline

4-Tooth Spline (H4)



6-Tooth Spline (H6)



Involute spline

M0

M1

Involute Spline (M0)	
Teeth	12
Module	1.5
Press. Angle	30°
Maj Ø	Ø19.5 ^{+0.13}
Min Ø	Ø15.75

Involute Spline (M1)	
Teeth	16
Module	1
Press. Angle	30°
Maj Ø	Ø17 ^{+0.13}
Min Ø	Ø14.4

SAE spline Disp. ≤ 20

S1

S2

S3

S4

SAE Spline (S1)	
Teeth	9
Module	16/32
Press. Angle	30°
Maj Ø	Ø15.45 ^{+0.13}
Min Ø	Ø12.28

SAE Spline (S2)	
Teeth	10
Module	16/32
Press. Angle	30°
Maj Ø	Ø17 ^{+0.13}
Min Ø	Ø13.8

SAE Spline (S3)	
Teeth	11
Module	16/32
Press. Angle	30°
Maj Ø	Ø18.63 ^{+0.13}
Min Ø	Ø15.4

SAE Spline (S4)	
Teeth	13
Module	16/32
Press. Angle	30°
Maj Ø	Ø21.81 ^{+0.13}
Min Ø	Ø18.63

Specification

Model	Nominal displacement (mL/r)	Pressure(Mpa)		Speed (r/min)		Volumetric efficiency (>%)	L1	L	Screw		Flange						Weight (Kg)	
		Rated	Instantaneous	Optimum speed	Speed range				D	Inlet			Outlet					
										Inlet	Outlet	d	a	b	d	a		b
HGT-F410-****	10	21	25	1500	800	92	57	116	M22×1.5	M18×1.5	23	47.6	22.2	20	47.6	22.2	3.1	
HGT-F412.5-****	12.5						58.3	118									3.2	
HGT-F414-****	14						59.2	120									3.3	
HGT-F416-****	16						60.3	122									3.4	
HGT-F418-****	18						61	124									3.4	
HGT-F419.2-****	19.2						61.8	125									3.5	
HGT-F420-****	20			93	2500	3000	93	62.5	127	M33×2	M27×2	25	52.4	26.2	25	52.4	26.2	3.5
HGT-F423-****	23							64	130									3.6
HGT-F425-****	25							65.8	133									3.7
HGT-F430-****	30							67.8	137									3.9
HGT-F432-****	32							69.5	141									4.0