

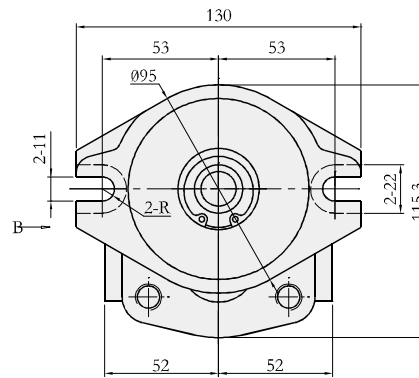
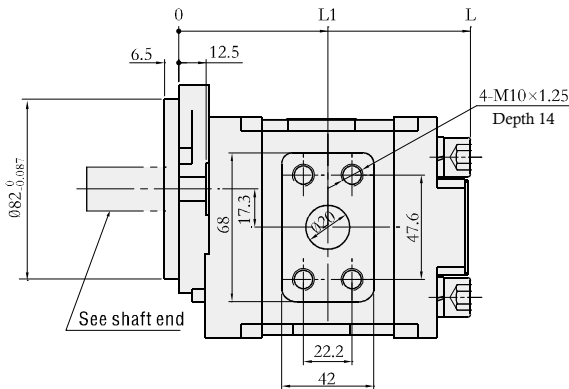


Model coding

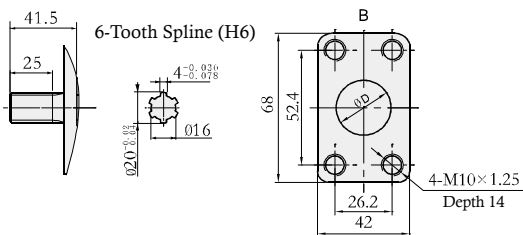


1. **Product code**
2. **Pressure grade** F : 21MPa
3. **Nominal displacement** (mL/r)
4. **Mounting** A1 : Oval
5. **Joining port** FA : Flange
LA : Screw (G.BSP)
LB : Screw (SAE)
6. **Shaft end** S1 : SAE spline
H6 : Rectangle spline
7. **Rotation** R : Right (Clockwise is omitted) *
L : Left (Counterclockwise)
8. **Custom** XXXX

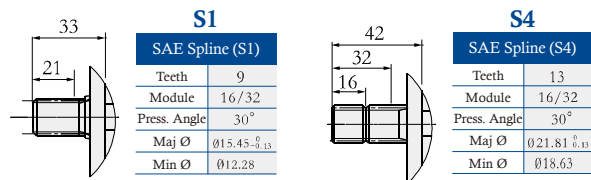
Outline Dimensions



Rectangle spline



SAE spline



Specification

Model	Nominal displacement (mL/r)	Pressure(Mpa)		Speed (r/min)		Volumetric efficiency (≥%)	L1	L	D	Weight (Kg)	
		Rated	Instantaneous	Optimum speed	Speed range						
HGF-F23-A1****	23	21	25	1500 2500	800 3000	92	60	117	25	4.1	
HGF-F25-A1****	25						61.5	120		4.3	
HGF-F26.5-A1****	26.5						62.5	122		4.4	
HGF-F28.2-A1****	28.2						63.5	124		4.6	
HGF-F30-A1****	30						64.5	126		4.8	
HGF-F32-A1****	32						65.5	128		5.0	
HGF-F36-A1****	36						68	133		5.4	
HGF-F40-A1****	40						70.5	138		28	5.6